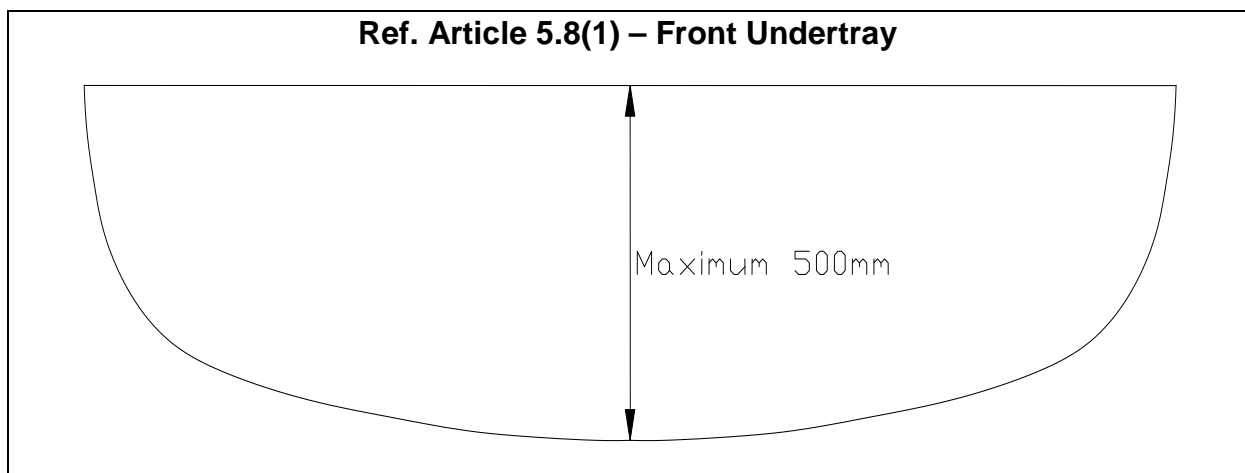
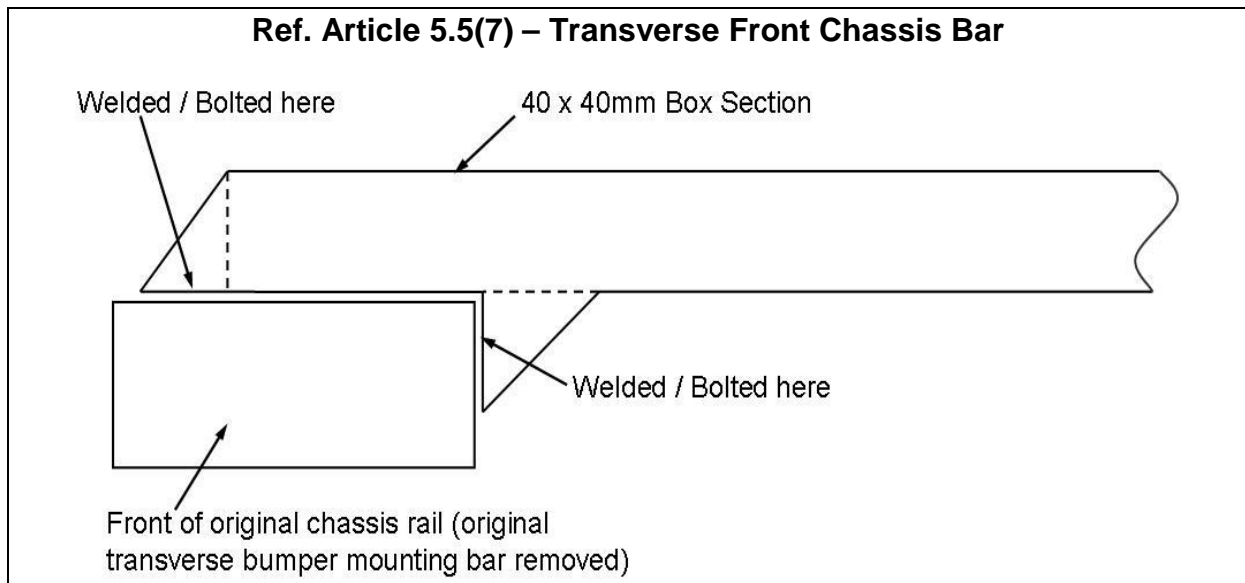


# PART G SCHEDULE TL<sup>©</sup>

## DIAGRAMS – FORD

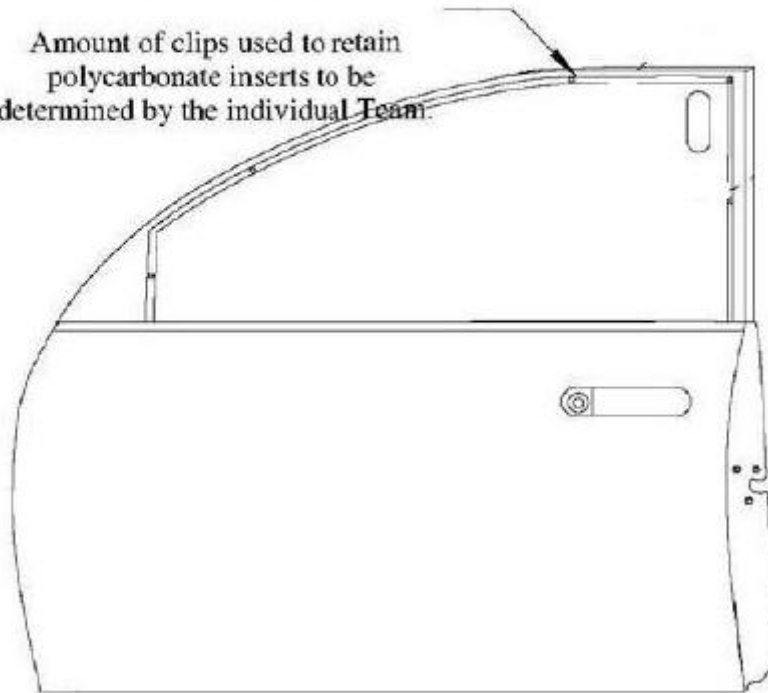
**Note:** Diagrams are indicative and not to scale



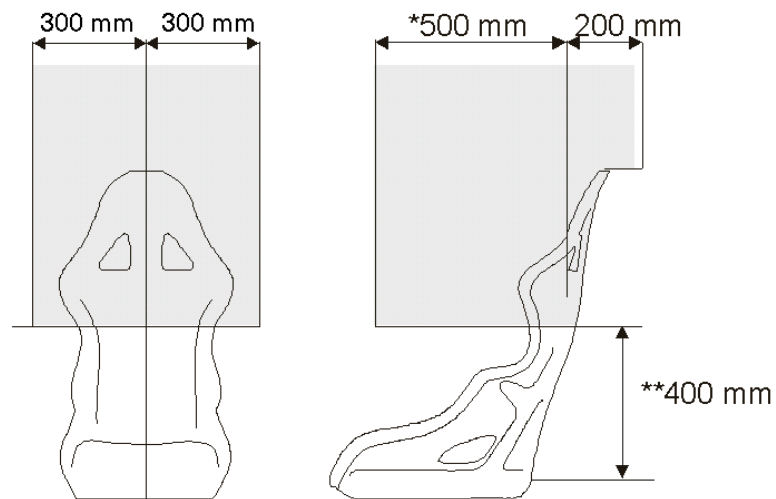
## Ref. Article 5.9(3) Note 9 Window clips

Manufacturer - Fastex Fasteners  
Part No.266-0019

Amount of clips used to retain polycarbonate inserts to be determined by the individual Team.



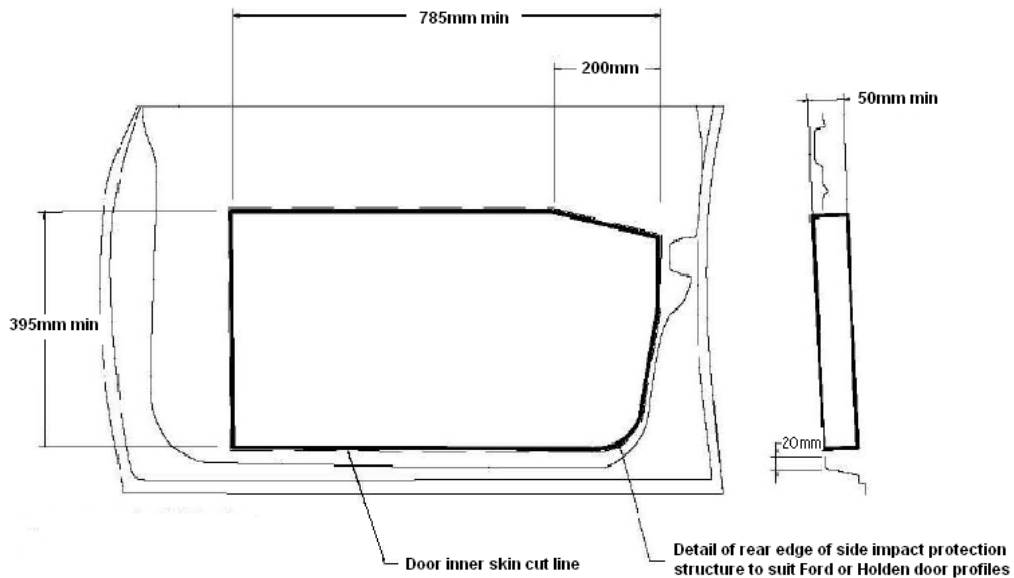
## Ref. Article 7.2(4) - Mandatory Areas Requiring FIA Roll Protection Padding



\*measured from the backrest

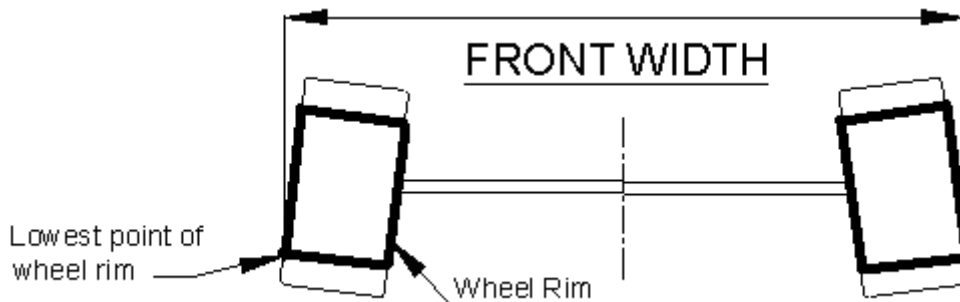
\*\*measured from the cushion

Ref. Article 7.7(1) Side Impact Structure

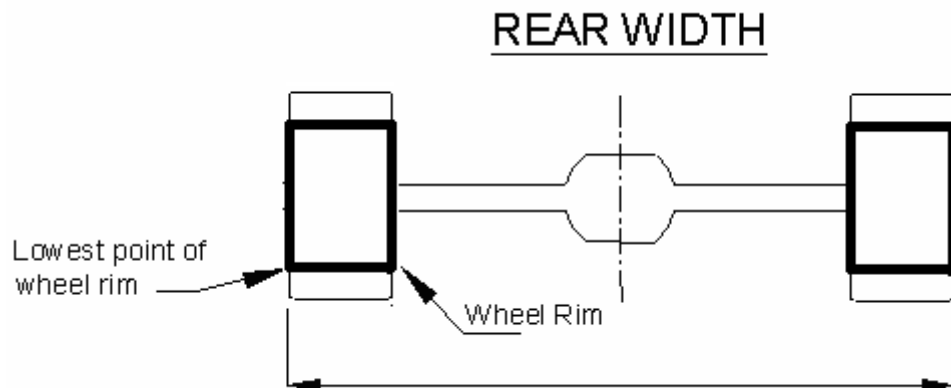


Permitted modifications to the driver's door:  
 The inner door skin may be removed to accommodate the side impact structure as shown on the cut line. The side impact structure must be attached to the remaining inner door skin to provide additional strength to the door. It is recommended that the side impact structure be positioned as close as possible to the door cross of the safety cage when the door is closed.  
 The honeycomb structure (Ayrelite 2022) requires edging prior to fitment and may be modified to accommodate the door lock and inside door handle.

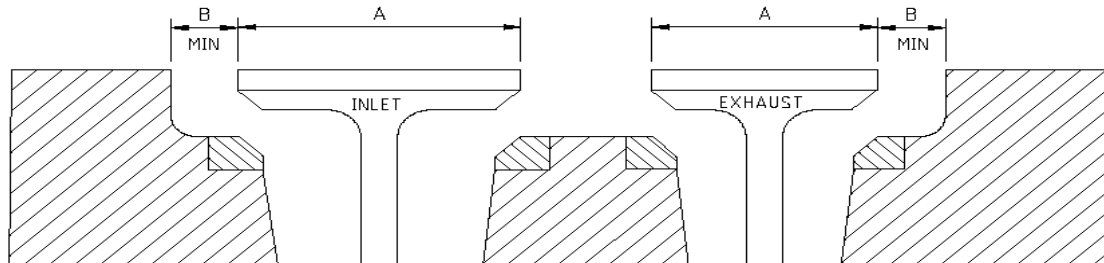
Ref. Article 9.2(1) – Front Track Measurement



Ref. Article 9.9(1) – Rear Track Measurement



**Ref. Article 11.9(3) - Procedure to Ensure Combustion Chamber Conformity**

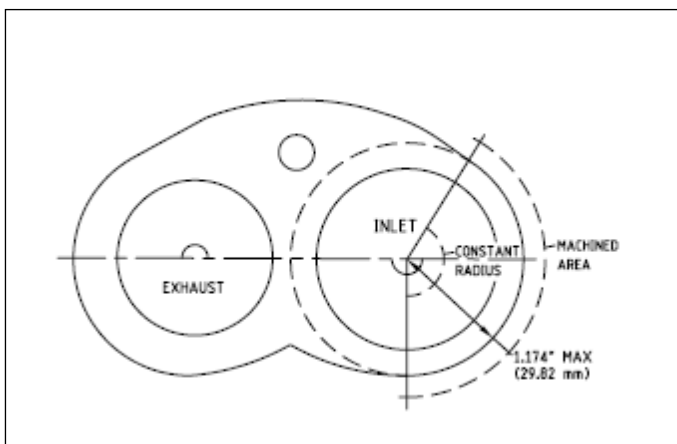


Valve	A	A/2	B	A/2 + B	Max 'C'
Inlet					1.184"
Exhaust					1.030"

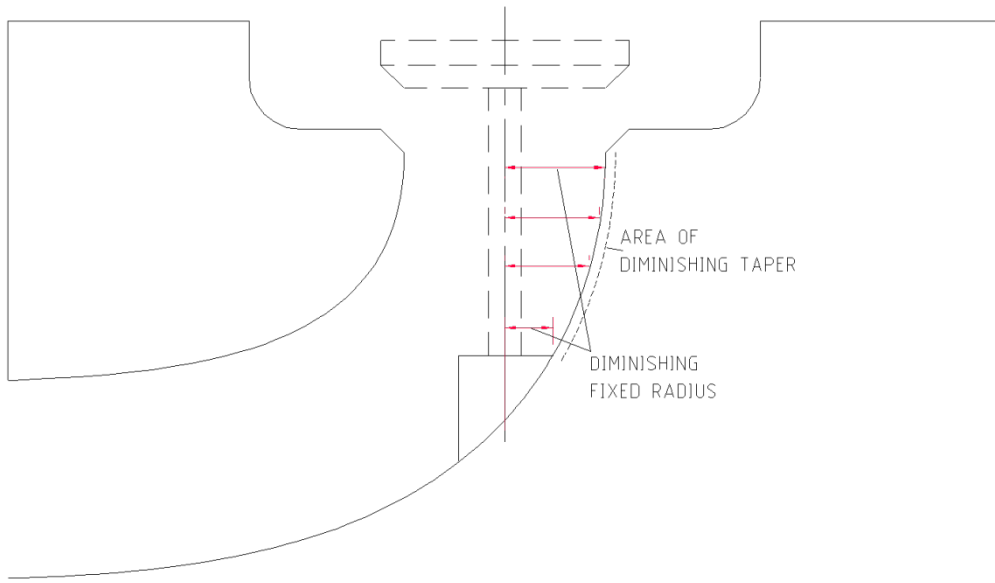
**Measurements are Imperial**

1/2 of measurement 'A' plus measurement 'B' shall not exceed measurement 'C'. ( $A/2 + B = C$ )

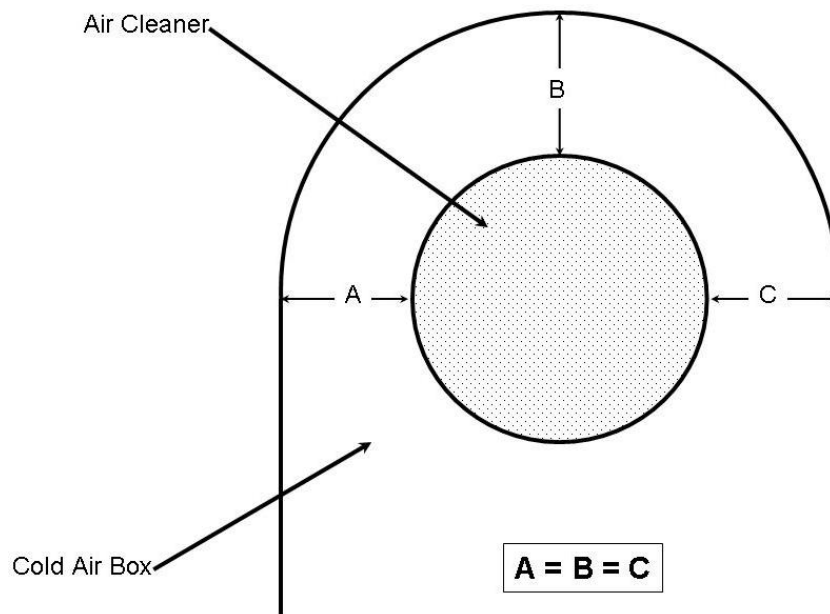
**Ref Article 11.9(3) Machining Cylinder Head on Constant Radius from Valve Guide**



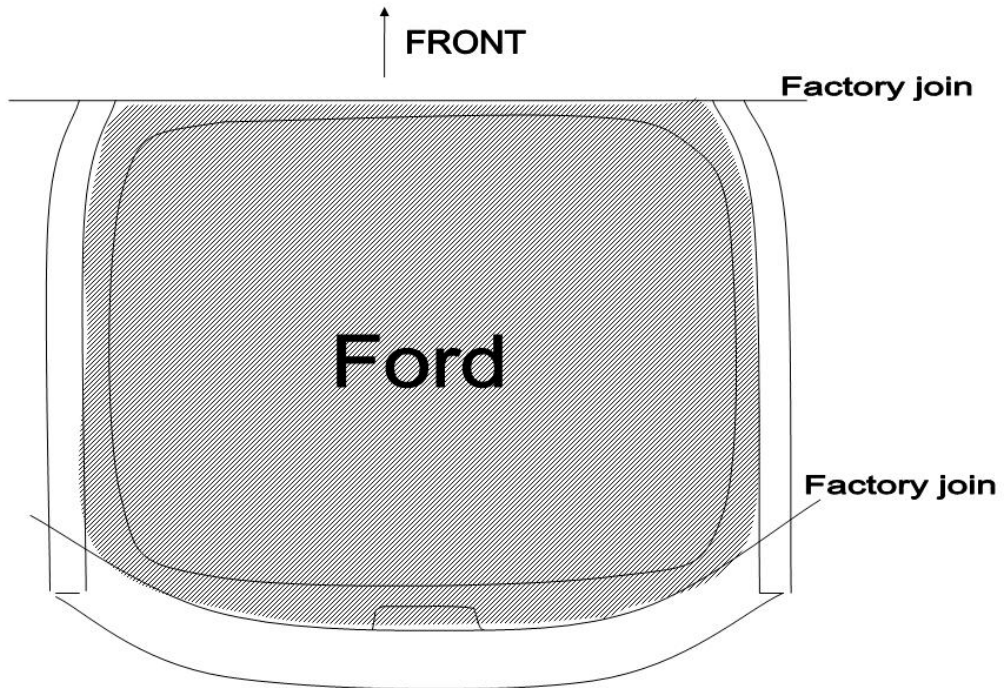
**Ref Article 11.9(8) Machining of Port on Constant Radius to Valve Guide Boss**



**Ref. Article 11.14(4) – Air Cleaner Location**



Ref. Article 15.2(1) – Defined Boot Floor Area



Ref. Article 16.1(1) - Circuit Breaker External Marking

